

Frame	Poles	Feet						Base		Shaft						Flange B5					Flange B14 B (B5R)					Flange B14 A (B24)							
H		B	A	HA	BB	AB	K	AA	AC	L	HD	C	D	E	GA	F	LA	P	N	M	T	S	P	N	M	T	S	P	N	M	T	S	
63 A									203		172	40	11	23	12.5	4	10	140	95	115	3	10	120	80	100	3	M6	80	60	75	2.5	M5	
63 B	2-8	80	100	8	110	128	7	30	212																								
63 X									221																								
71 A									224																								
71 B	2-8	90	112	8	120	142	7	30	234		190	45	14	30	16	5	10	160	110	130	3.5	10	140	95	115	3.5	M8	105	70	85	3	M6	
71 X									243																								
80 A									279																								
80 B	2-8	100	125	10	130	160	10	35	175		294	206	50	19	40	21.5	6	12	200	130	165	3.5	12	160	110	130	3.5	M8	120	80	100	3	M6
80 X									302																								
90 S	2-8	100	140	12	140	175	10	35	195		326	226	56	24	50	27	8	12	200	130	165	3.5	12	160	110	130	3.5	M8	140	95	115	3	M8
90 L									345																								
100 LA	2-8	140	160	14	180	205	12	45	215		368	260	63	28	60	31	8	12	250	180	215	4	15	200	130	165	3.5	M10	160	110	130	3.5	M8
100 LB									374																								
112 M	2-8	140	190	15	180	235	12	45	240		397	285	70	28	60	31	8	14	250	180	215	4	15	200	130	165	3.5	M10	160	110	130	3.5	M8
132 S	2-8	140	216	18	186	264	12	55	275		475	345	89	38	80	41	10	12	300	230	265	4	15	250	180	215	4	M12	200	130	165	3.5	M10
132 M									513																								
160 M	2-8	210	254	20	260	314	15	65	330		620	405	108	42	110	45	12	15	350	250	300	5	19	300	230	265	5	M12					
160 L									664																								
180 M	2-8	241	279	22	301	350	15	70	380		694	455	121	48	110	51.5	14	15	350	250	300	5	19										
180 L									745																								
200 L	2-8	305	318	25	375	388	19	70	410		776	505	133	55	110	59	16	17	400	300	350	5	19										
225 S	4-8	286	356	28	374	435	19	79	460		810	555	149	60	140	64	18	20	450	350	400	5	19										
225 M	2	311	356	28	400	435	19	79	460		805	555	149	55	110	59	16	20	450	350	400	5	19										
225 M	4-8								835																								
250 M	2	349	406	30	445	486	24	82.5	510		922	615	168	60	140	64	18	22	550	450	500	5	19										
250 M	4-8																																
250 MB	4																																
280 S	2	368	457	35	470	542	24	91	580		977	680	190	65	140	69	18	22	550	450	500	5	19										
280 S	4-8																																
280 M	2	419	457	35	521	542	24	91	580		1028	680	190	65	140	69	18	22	550	450	500	5	19										
280 M	4-8																																
280 MB	4								1058																								
315 S	2	406	508	45	570	630	28	120	645		1215	845	216	65	140	69	18	22	660	550	600	6	24										
315 S	4-8																																
315 M	2	457	508	45	680	630	28	120	645		1325	845	216	65	140	69	18	22	660	550	600	6	24										
315 M	4-8																																
315 L	2	508	508	45	680	630	28	120	645		1325	845	216	65	140	69	18	22	660	550	600	6	24										
315 L	4-8																																
315 LX	4-6	508	508	45	680	630	28	120	645		1390	845	216	85	170	85	22	22	660	550	600	6	24										
355 M	2	560	610	52	760	730	28	116	710		1495	1010	254	75	140	79.5	20	25	800	680	740	6	24										
355 M	4-8										1525																						
355 L	2	630	610	52	760	730	28	116	710		1495	1010	254	75	140	79.5	20	25	800	680	740	6	24										
355 L	4-8										1525																						

ROTOTECH PRODUCTS

- Mining Spec. Motors
- Brake Motors
- Hazardous Location
- Single Phase
- Gear Motors
- Speed Controllers
- Soft Starters
- Encoders
- Electronic Shear Pin
- Motor Protection
- Specials
- 1000V Motors
- High Voltage Motors
- Service

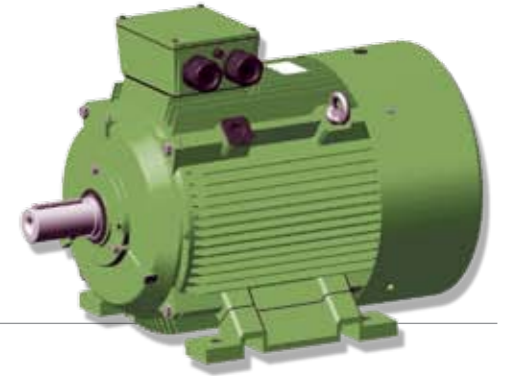


Phone: 1 3 0 0 5 5 3 5 5 2  
 Web site: www.rototech.com.au  
 Email: mail@rototech.com.au

# ROTOTECH

## 3 PHASE MOTORS Hu PREMIUM Series

- High quality design, build and appearance
- Low temperature rise for longer life
- Thermistors 160 frame & above
- MEPS Efficiency Approved
- Multi-Mount Feet Position
- IP55 or IP66 Protection
- Multi-Voltage 380-480V
- Includes cable glands
- NDE & DE Oil seals
- Class F insulation
- 63-355 IEC Frame



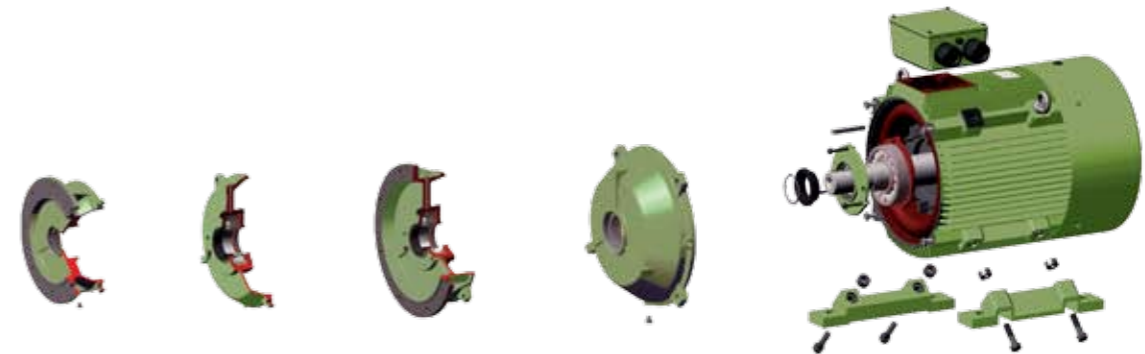
### MULTI MOUNT Total Flexibility



- A unique high strength precision key system on motor frames 63-280 allows the motor feet to be relocated in 3 positions, giving you the flexibility of top or side mount terminal box and pad mount.



- An 8 hole flange permits 45 degree adjustments of flange location.
- Terminal box can be rotated 4 ways.



(\* Efficiency based on MEPS - B2 2006. MEPS - B1 2005 stock will be offered first. Type test certificate and accredited drawings available on request. Contents offered as a guide only. E&OE. © CSA on application only.

2 Pole		2 Pole Asynchronous Speed 3000 rpm						ROTOTECH 3 Phase Motor IEC 34 – 1 AS 1359 MEPS B2 400 Volt +/- 10% 50Hz IP55 Ins.Cl.F Serv.S1 Efficiency 1 (*)			
Type		Power kW	Shaft Size mm	Speed rpm	Current Full Load Amps	Efficiency η%	Powerfact. Cos.	Weight Kg	Full Load Torque Nm	Max Torque Rated Torque %	Locked Rotor Current Rated Current %
63	A 2	0.18	11	2720	0.50	66.50	0.80	4.5	0.63	2.2	5.5
	B 2	0.25	11	2720	0.66	68.90	0.81	4.7	0.88		
71	A 2	0.37	14	2740	0.94	71.00	0.81	5.5	1.30	6.1	6.1
	B 2	0.55	14	2740	1.33	75.10	0.82	6.5	1.90		
80	A 2	0.75	19	2840	1.85	80.50	0.83	11	2.53	7.0	7.0
	B 2	1.1	19	2840	2.46	82.20	0.84	12	3.72		
90	S 2	1.5	24	2840	3.31	84.10	0.84	20	5.00	7.0	7.0
	L 2	2.2	24	2840	4.63	85.60	0.85	23	7.40		
100	L 2	3	28	2860	6.09	86.70	0.87	29	9.95	2.3	2.3
112	M 2	4	28	2900	7.70	87.60	0.88	36	13.20		
	SA 2	5.5	38	2900	10.02	88.52	0.88	68	18.00	7.5	7.5
SB 2	7.5	38	2900	14.35	89.50	0.88	74	24.70			
132	MP 2	11	38	2930	20.49	90.61	0.89	131	35.80	7.5	7.5
	MA 2	11	42	2930	20.49	90.61	0.89	131	35.80		
160	MB 2	15	42	2930	27.66	91.32	0.89	139	48.90	7.5	7.5
	L 2	18.5	42	2930	33.38	91.80	0.90	168	60.30		
180	M 2	22	48	2940	39.52	92.20	0.90	194	71.40	2.2	2.2
	LB 2	30	48	2940	53.25	92.91	0.90	283	97.10		
200	LA 2	30	55	2950	53.25	92.91	0.90	283	97.10	2.2	2.2
	LB 2	37	55	2950	65.31	93.30	0.90	300	119.80		
225	M 2	45	55	2960	78.94	93.70	0.90	336	144.70	2.2	2.2
250	M 2	55	60	2965	95.89	94.02	0.90	443	175.80		
	S 2	75	65	2970	128.34	94.61	0.90	598	241.10	2.2	2.2
280	M 2	90	65	2970	153.61	94.80	0.91	682	289.30		
	S 2	110	65	2975	185.74	95.10	0.91	1018	353.00	7.1	7.1
315	M 2	132	65	2975	221.83	95.42	0.91	1144	423.60		
	L1-2	160	65	2975	265.72	95.51	0.92	1243	513.60	2.2	2.2
L2-2	200	65	2975	331.00	94.80	0.92	1215	641.00			
355	M 1-2	220	75	2980	357.00	95.10	0.92	1610	710.00	2.2	2.2
	M 2	250	75	2980	453.00	95.30	0.92	1705	800.00		
L 1-2	280	75	2980	480.00	95.20	0.92	1780	897.00	2.2	2.2	
L 2	315	75	2980	566.00	95.60	0.92	1850	1007.00			

4 Pole		4 Pole Asynchronous Speed 1400 rpm						ROTOTECH 3 Phase Motor IEC 34 – 1 AS 1359 MEPS B2 400 Volt +/- 10% 50Hz IP55 Ins.Cl.F Serv.S1 Efficiency 1 (*)			
Type		Power kW	Shaft Size mm	Speed rpm	Current Full Load Amps	Efficiency η%	Powerfact. Cos.	Weight Kg	Full Load Torque Nm	Max Torque Rated Torque %	Locked Rotor Current Rated Current %
63	A 4	0.12	11	1310	0.43	65.90	0.72	4.5	0.87	2.2	4.4
	B 4	0.18	11	1310	0.59	66.00	0.73	4.7	1.31		
71	A 4	0.25	14	1330	0.75	65.90	0.74	5.5	1.80	5.2	5.2
	B 4	0.37	14	1330	1.07	69.00	0.75	6.5	2.66		
80	A 4	0.55	19	1390	1.50	72.60	0.75	10	3.78	6.0	6.0
	B 4	0.75	19	1390	1.89	82.20	0.76	13	5.15		
90	S 4	1.1	24	1390	2.82	83.80	0.77	20	7.60	7.0	7.0
	L 4	1.5	24	1390	3.48	85.00	0.79	23	10.30		
100	LA 4	2.2	28	1410	4.85	86.40	0.81	24	14.80	2.3	2.3
	LB 4	3	28	1410	6.45	87.40	0.82	33	20.20		
112	M 4	4	28	1435	8.32	88.30	0.82	41	26.50	7.0	7.0
	S 4	5.5	38	1440	11.23	89.20	0.83	72	36.50		
132	M 4	7.5	38	1440	14.87	90.10	0.84	87	49.74	7.5	7.5
	MQ 4	11	38	1460	21.32	91.10	0.84	139	71.90		
160	M 4	11	42	1460	21.32	91.10	0.84	139	71.90	7.2	7.2
	L 4	15	42	1460	28.81	91.80	0.85	163	98.10		
180	M 4	18.5	48	1470	34.63	92.20	0.86	188	120.10	2.2	2.2
	L 4	22	48	1470	45.16	92.60	0.86	219	142.90		
200	LB 4	30	48	1470	54.70	93.30	0.86	290	194.90	2.2	2.2
	L 4	30	55	1470	54.70	93.30	0.86	290	194.90		
225	S 4	37	60	1475	66.56	93.60	0.87	336	239.60	2.2	2.2
	M 4	45	60	1475	80.75	93.90	0.87	362	291.60		
250	M 4	55	65	1480	98.80	94.20	0.87	462	354.80	2.2	2.2
	MB 4	75	70	1480	133.33	94.74	0.87	508	483.30		
280	S 4	75	75	1480	133.33	94.74	0.87	508	483.30	2.2	2.2
	M 4	90	75	1480	160.06	95.05	0.87	734	580.70		
315	MB 4	110	80	1480	191.36	95.30	0.88	1029	709.30	2.2	2.2
	S 4	110	80	1480	191.36	95.30	0.88	1029	709.30		
355	M 4	132	80	1480	228.80	95.54	0.88	1221	851.00	2.2	2.2
	L1-4	160	80	1480	269.00	95.70	0.89	1282	1031.00		
355	L2-4	200	80	1480	341.40	95.00	0.89	1270	1285.00	2.2	2.2
	L2-4	250	85	1480	422.30	95.30	0.90	1310	1605.00		
355	L3-4	280	85	1480	433.00	95.50	0.93	2300	1800.00	2.2	2.2
	M 1	220	95	1490	371.00	95.40	0.90	1670	1415.00		
355	M 4	250	95	1490	428.50	95.30	0.90	1710	1605.00	2.2	2.2
	L 4	315	95	1490	524.00	95.60	0.90	1902	2026.00		

6 Pole		6 Pole Asynchronous Speed 900 rpm						ROTOTECH 3 Phase Motor IEC 34 – 1 AS 1359 MEPS B2 400 Volt +/- 10% 50Hz IP55 Ins.Cl.F Serv.S1 Efficiency 1 (*)			
Type		Power kW	Shaft Size mm	Speed rpm	Current Full Load Amps	Efficiency η%	Powerfact. Cos.	Weight Kg	Full Load Torque Nm	Max Torque Rated Torque %	Locked Rotor Current Rated Current %
63	B 6	0.12	11	840	0.51	56.00	0.65	5	1.20	2.0	4.0
	A 6	0.18	14	850	0.71	58.00	0.66	6	1.90		
71	B 6	0.25	14	850	0.90	61.00	0.68	6.5	2.40	4.7	4.7
	A 6	0.37	19	885	1.23	66.20	0.70	10	3.99		
80	B 6	0.55	19	885	1.70	65.90	0.72	12	5.99	5.5	5.5
	S 6	0.75	24	910	2.08	77.70	0.72	19	7.90		
90	L 6	1.1	24	910	2.96	79.90	0.73	21	11.55	6.5	6.5
	L 6	1.5	28	920	3.67	81.50	0.75	28	15.60		
112	M 6	2.2	28	935	5.34	83.40	0.76	36	22.35	2.1	2.1
	S 6	3	38	960	6.86	84.92	0.76	67	29.80		
132	MA 6	4	38	960	9.05	86.10	0.76	79	39.80	7.0	7.0
	MB 6	5.5	38	960	12.06	87.40	0.77	91	54.70		
160	M 6	7.5	42	970	16.22	88.50	0.77	131	73.80	2.0	2.0
	L 6	11	42	970	23.19	89.82	0.78	163	108.30		
180	L 6	15	48	970	31.30	90.72	0.81	204	148.00	6.7	6.7
	LA 6	18.5	55	980	36.82	91.30	0.81	266	182.10		
200	LB 6	22	55	980	42.54	91.80	0.83	281	216.60	6.6	6.6
	M 6	30	60	980	57.30	92.55	0.84	336	292.30		
250	M 6	37	65	980	68.54	93.05	0.86	449	360.50	6.4	6.4
	S 6	45	75	980	82.26	93.50	0.86	590	438.50		
280	M 6	55	75	980	100.57	93.90	0.86	655	535.90	6.4	6.4
	S 6	75	80	985	134.68	94.44	0.86	968	723.50		
315	M 6	90	80	985	160.89	94.80	0.86	1089	873.50	6.4	6.4
	L 1-6	110	80	985	196.14	95.11	0.86	1188	1065.00		
355	L 2-6	132	80	985	234.52	95.41	0.87	1298	1272.00	6.4	6.4
	L 2-6	150	85	985	249.00	95.60	0.88	1380	1440.00		
355	L 3-6Q	185	85	985	310.00	95.00	0.90	1400	1775.00	6.4	6.4
	M 1-6	160	95	990	276.00	95.61	0.88	1620	1542.00		
355	M 2-6	185	95	990	315.00	95.60	0.88	1690	1780.00	6.4	6.4
	M 2-6	200	95	990	342.50	94.70	0.88	1745	1929.00		
355	L 1-6	220	95	990	382.00	94.82	0.88	1850	2122.00	6.4	6.4
	L 2-6	250	95	990	418.00	94.90	0.88	1940	2409.00		

8 Pole		8 Pole Asynchronous Speed 700 rpm						ROTOTECH 3 Phase Motor IEC 34 – 1 AS 1359 MEPS B2 400 Volt +/- 10% 50Hz IP55 Ins.Cl.F Serv.S1 Efficiency 1 (*)			
Type		Power kW	Shaft Size mm	Speed rpm	Current Full Load Amps	Efficiency η%	Powerfact. Cos.	Weight Kg	Full Load Torque Nm	Max Torque Rated Torque %	Locked Rotor Current Rated Current %
63	B 8	0.06	11	640	0.44	42.00	0.50	5	0.90	2.0	4.0
	A 8	0.09	14	660	0.57	44.00	0.55	6	1.30		
71	B 8	0.12	14	660	0.67	49.00	0.55	6.5	1.60	3.3	3.3
	A 8	0.18	19	645	0.84	58.60	0.61	11	2.50		
80	B 8	0.25	19	645	1.10	60.50	0.61	12	3.40	4.0	4.0
	S 8	0.37	24	670	1.42	64.90	0.61	17	5.27		
90	L 8	0.55	24	670	2.06	68.70	0.61	19	7.84	6.0	6.0
	LA 8	0.75	28	680	2.43	73.50	0.67	28	10.54		
100	LB 8	1.1	28	680	3.33	76.30	0.69	29	15.40	6.6	6.6
	M 8	1.5	28	690	4.33	78.40	0.69	36	20.78		
112	S 8	2.2	38	690	5.62	80.90	0.69	72	29.80	6.4	6.4
	M 8	3	38	705	7.28	82.70	0.71	85	40.64		
132	MA 8	4	42	720	9.46	84.22	0.73	118	53.10	6.4	6.4
	MB 8	5.5	42	720	12.69	85.80	0.74	131	72.		